



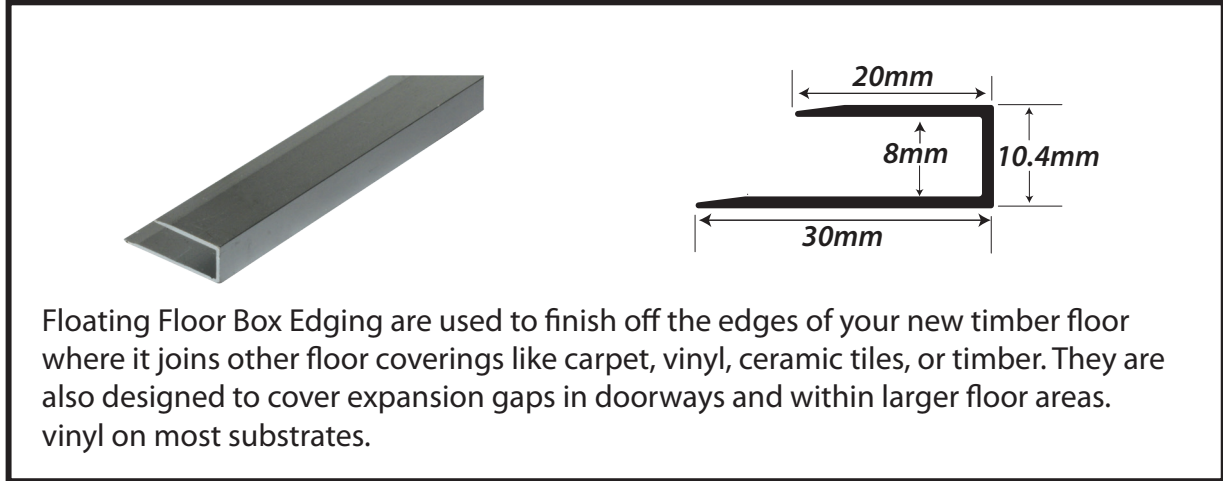
Gilt Edge Industries Ltd[®]

Customer Services
CHC : 03 379 7067 or AKL: 09 443 7067
Email: help@giltedge.co.nz

Technical & Sales Assistance
Email: help@giltedge.co.nz
www.giltedge.co.nz

PRODUCT DATA SHEET

61008 - Floating Floor Trim



Floating Floor Box Edging are used to finish off the edges of your new timber floor where it joins other floor coverings like carpet, vinyl, ceramic tiles, or timber. They are also designed to cover expansion gaps in doorways and within larger floor areas. vinyl on most substrates.

Product Attributes

61008mm Floating Floor Box Edge is an aluminium, colour anodised, edge capping for floating floors edging. Suitable for interior and exterior use and suitable for 6mm to 7mm floor coverings

Material: Aluminium Colours: Satin Silver/ Matt Black/ Champagne Anodised Length: 2.5mtr

Specification

Manufacturer: Gilt Edge Industries 110 Antigua Street, Addington Christchurch 8240

P O Box 7515 Sydenham Phone: 0800 445 833 Fax: 0800 103 649

Email: help@giltedge.co.nz

Reference Code: 6100S8mm Satin Silver
6100B8mm Matt Black
6100C8mm Champagne

Installation

The Floating Floor Box Edge is the most widely used trim and is ideal for areas where flooring is joining carpet, ceramic tiles (at the same height), window frames, sliding door tracks and walls. This trim should be adhered to the floor with a permanent construction adhesive. Box Edging, skirting or scotia over expansion gaps, should be fasten to the wall only, never to the flooring itself. Fill the expansion gaps with an elastic filler in places where profiles or skirtings cannot be placed. Is suitable for use in both domestic and commercial applications. The timber or laminate is designed to sit just under the outside lip of the trim, leaving room for expansion inside the channel.

Maintenance

A regular scheduled maintenance programme prevents build-up of dirt and grease, which will reduce properties of and detract from the overall appearance of the product. Brush down the profiles using a soft bristled brush.

With clean warm water, apply a small amount of a soap-less detergent to a wet green scotch pad and gently clean the surface of the profile along it's width with fresh, clean water and dry with a dry lint free cloth.